

NOTE.

도대	도반
282	230

CLIENT SH공사

PROJECT TITLE 마곡지구 9단지

MODEL TITLE 49m' A TYPE (확장형)

DRAWING TITLE 평면도

DRAWN BY

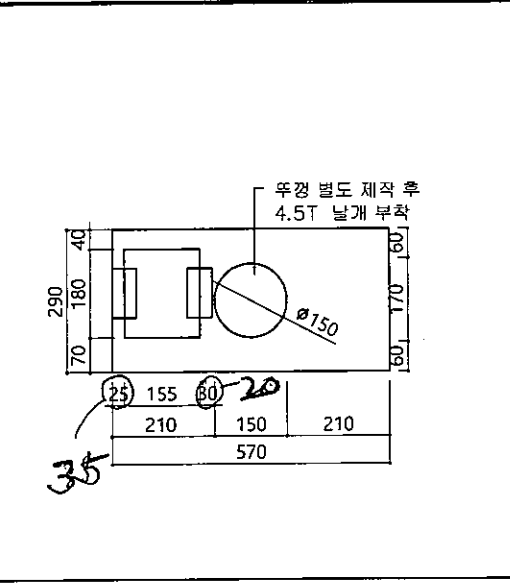
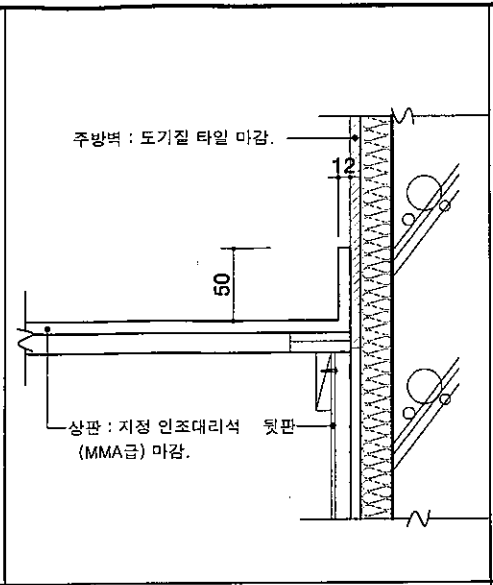
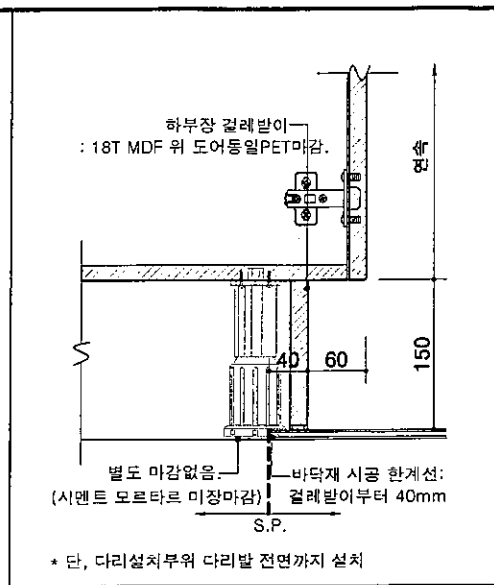
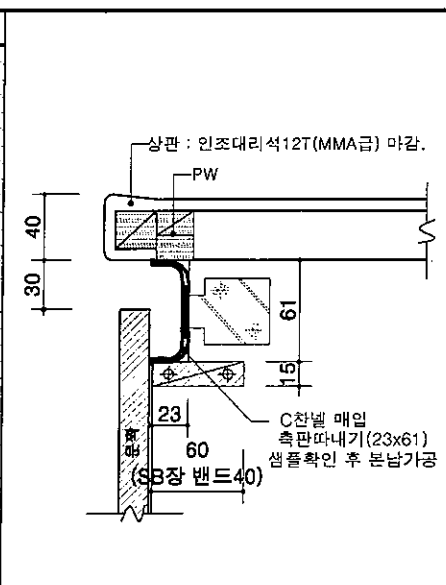
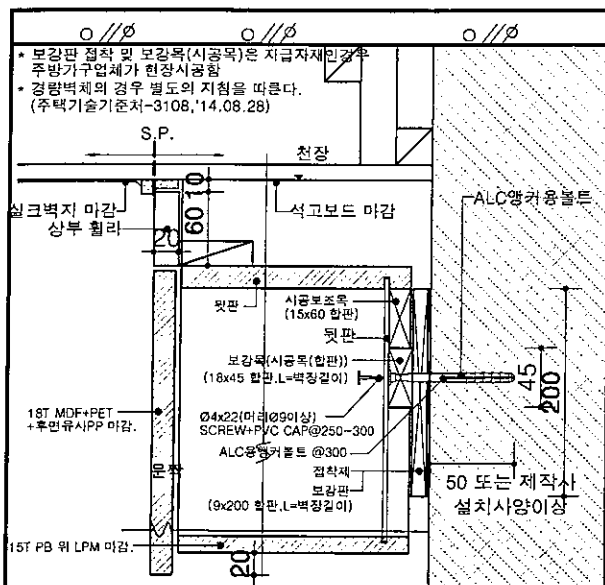
CHECKED BY

APPROVAL BY

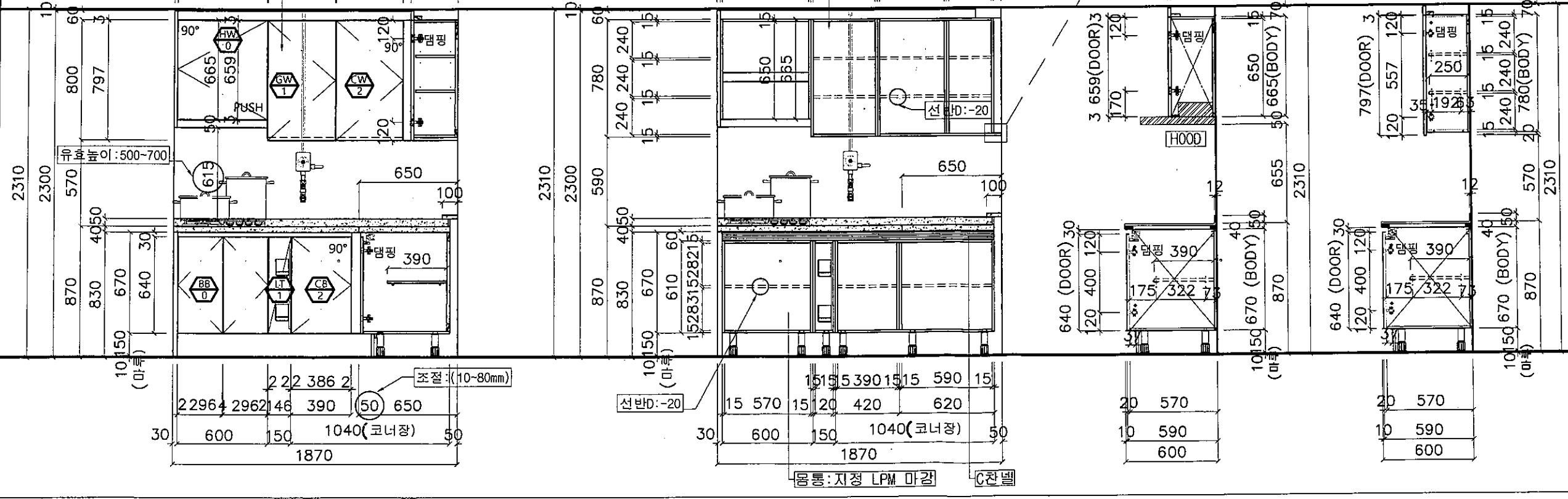
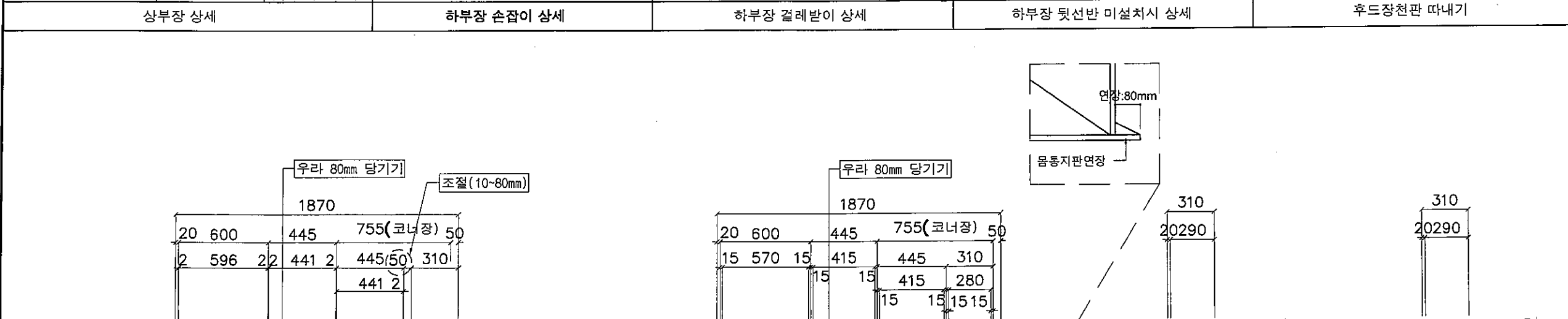
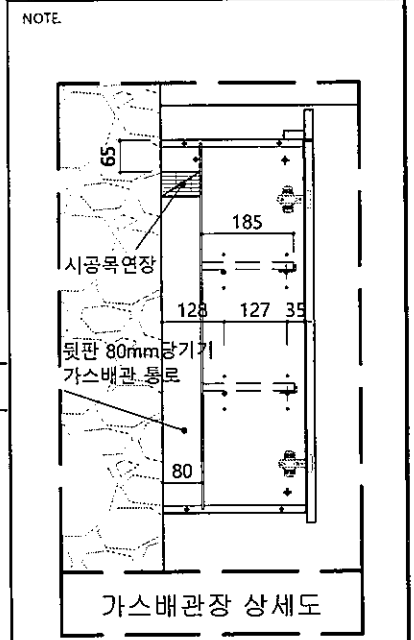
DATE 2019. 12. 23 SCALE

SHEET NO. REV.

DRAWING NO.



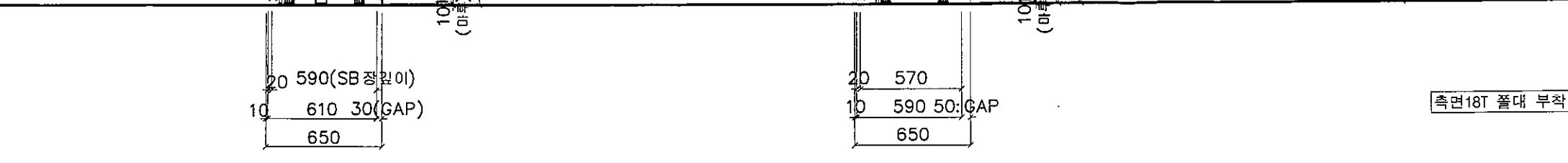
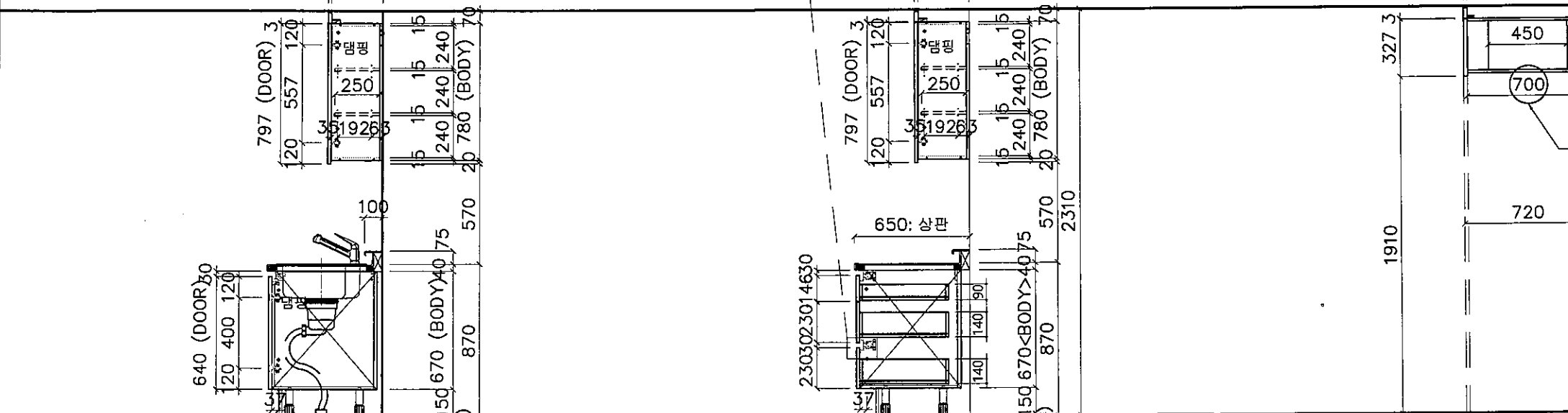
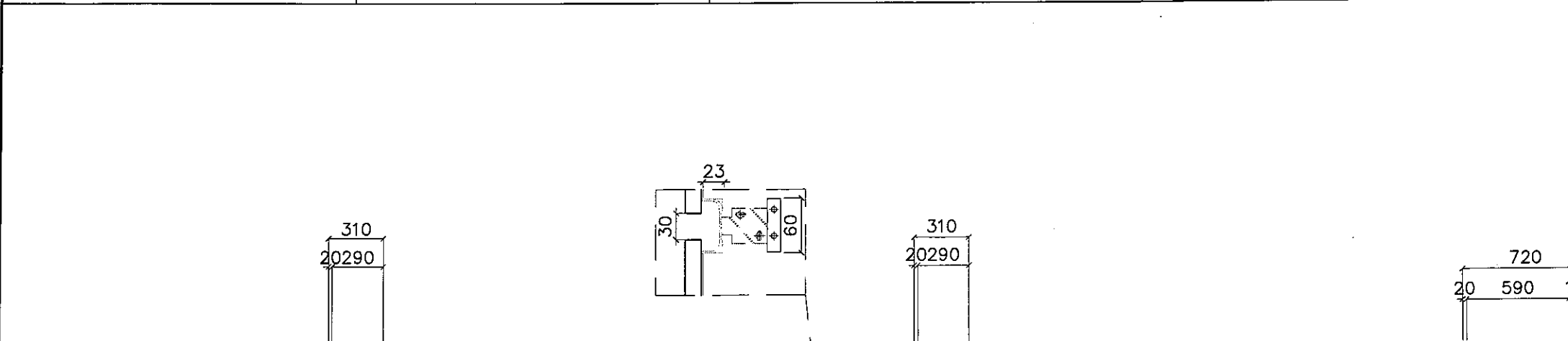
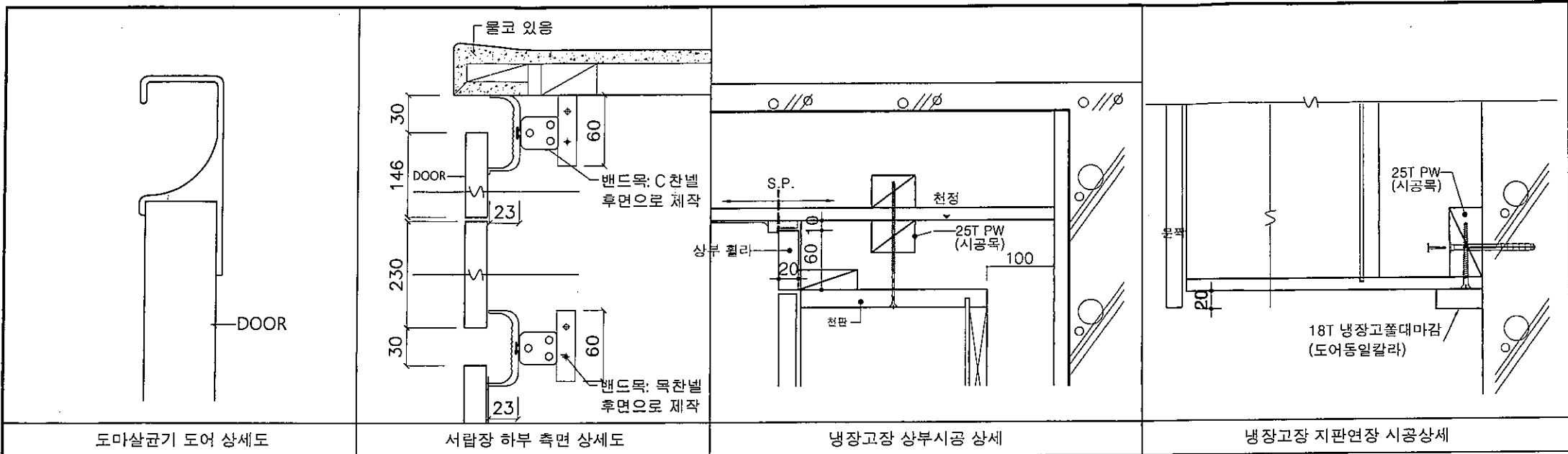
DESTTIA
 베스티아주식회사
 서울시 영등포구 당산로41길 11 SK V1 센터
 TEL. 02)790-0381 / FAX. 02)790-0391



1 ELEVATION-B

도대	도반
282	230
CLIENT	SH공사
PROJECT TITLE	마곡지구 9단지
MODEL TITLE	49m ² A TYPE (확장형)
DRAWING TITLE	입면도
DRAWN BY	
CHECKED BY	
APPROVAL BY	
DATE	2019. 12. 23
SHEET NO.	SCALE
DRAWING NO.	REV.

NOTE.



도대	도반
282	230
CLIENT SH공사	
PROJECT TITLE 마곡지구 9단지	
MODEL TITLE 49m ² A TYPE (확장형)	
DRAWING TITLE 입면도	
DRAWN BY	
CHECKED BY	
APPROVAL BY	
DATE 2019. 12. 23	SCALE
SHEET NO.	REV.
DRAWING NO.	